

BEFORE YOU BEGIN

安装之前

- Please read these instructions carefully to familiarize yourself with the required tools, materials, and installation sequences. Follow the sections that pertain to your particular installation. This will help you avoid costly mistakes. In addition to proper installation, read all operating and safety instructions.
- All information in these instructions is based upon the latest product information available at the time of publication. Kohler China. reserves the right to make changes in product characteristics, packaging, or availability at any time without notice.
- These instructions contain important care, cleaning, and warranty information-**please leave instructions for the consumer.**
- MaxiSpace cabinet adopts E1 grade wood-based panel of high quality, and with further processing, its harmful emissions will be less than 1.5mg/L.
- Turn off the water supply.
- The plumbing installation must comply with Water Supply Regulations/Bye-laws, Building Regulations or any particular regulations and practices, specified by the local water company or water undertakers. The installation should be carried out by a plumber.
- Before installation carefully inspect the new fixture for any signs of damage.
- This product complies with GB 24977-2010.
- 请仔细阅读本指引，以便熟悉所需工具、物料及安装程序。请遵照适用的章节来安装本产品，以免安装失当导致不必要的损失。除了有关正确的安装方法之外，还务请详阅所有操作及安全指引。
- 本指引所载之一切资料，均以印刷时所有之最新产品情况为基础，科勒中国保留权利随时更改产品特性、包装或供应情况，恕不另行通知。安装家具之前，请先确认所有必需的电气工作均已完成。
- 本指引也包含了有关保养、清洁及担保等重要资料 - **请交予用户保存。**
- 博纳浴室柜选用 E1 级优质饰面人造板精心加工而成，其有害气体释放量少于 1.5mg/L。
- 关闭供水。
- 管道安装必须遵循当地所有给排水、建筑或者其他的特别规定。管道安装人员必须具备相应资格。
- 安装之前，仔细检查产品是否有损伤。
- 本产品符合 GB 24977-2010。

ORDERING INFORMATION

This installation covers the following products in the MaxiSpace range:

MAXISPACE 2.0 CABINET 800mm.....	K-23799T
MAXISPACE 2.0 CABINET 1000mm.....	K-23800T
MAXISPACE 2.0 CABINET 1000mm (STOOL)	K-23801T
MAXISPACE 2.0 CABINET 1200mm.....	K-23802T
MAXISPACE 2.0 CABINET 1200mm (STOOL)	K-23803T

订购信息

此安装说明书适用于以下博纳系列家具的安装：

博纳 2.0 800mm 浴室柜	K-23799T
博纳 2.0 1000mm 浴室柜	K-23800T
博纳 2.0 1000mm 浴室柜 (含梳妆凳)	K-23801T
博纳 2.0 1200mm 浴室柜	K-23802T
博纳 2.0 1200mm 浴室柜 (含梳妆凳)	K-23803T

SAFETY WARNINGS

Kohler products are precision-engineered and should give continued superior and safe performance, provided:

- 1.They are installed, commissioned, operated and maintained in accordance with the recommendations given in this Manual.
- 2.Periodic attention is given, as necessary, to maintain the product in good functional order. Recommended guidelines are given in the **MAINTENANCE** section.

Carefully inspect the new fixture for any signs of damage.

When installing Kohler Products, manufacturers guidelines for power tool safety should be followed.

安全警告

科勒产品经过精确制造，性能卓越，经久耐用。为保证产品品质，您必须：

1. 按照此手册中推荐的方法进行安装、启动、操作及维护。
2. 如有需要，定期检查，令产品保持良好性能状态。**日常维护**章节中列有推荐方法。

仔细检查新产品是否有损伤。

在安装科勒产品时，必须遵循制造商相关电动工具的安全的指令。

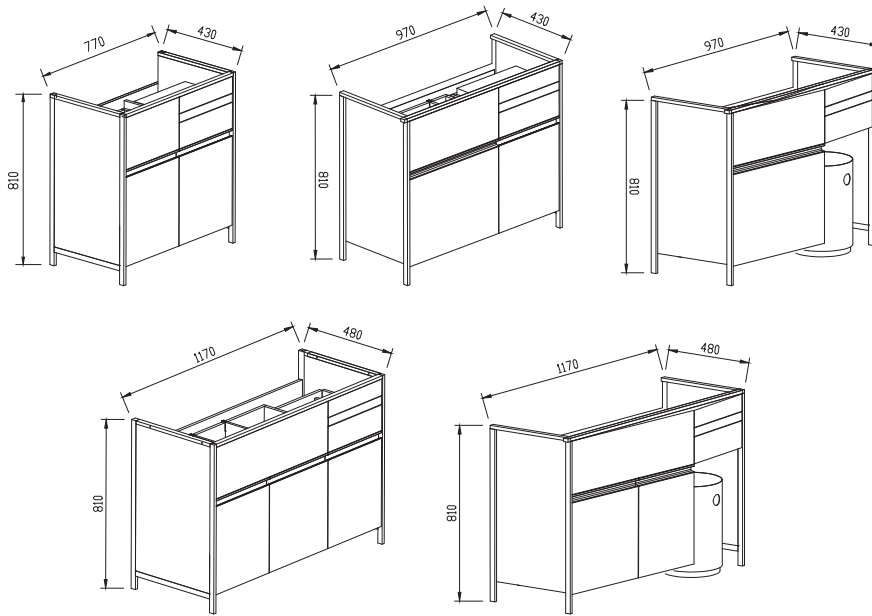
CHANGSHU KOHLER LTD., SOUTHEAST ECONOMIC DEVELOPMENT ZONE,
CHANGSHU, JIANGSU PROVINCE, CHINA POST CODE 215500
常熟科勒有限公司 江苏省常熟市东南经济开发区 邮编:215500

ROUGHING-IN

尺寸图

Reference Value
参考值

Unit: mm
单位:毫米



Kohler reserves the right to change marked dimensions without prior notice.
科勒公司保留随时变更图中标示尺寸的权利，无需另行通知。

INSTALLATION

安装

Install Washbasin Cabinet

Install the services.
Hot (H) and Cold (C) inlets must be connected to the correct inlet pipes.
Install the drain in accordance with the manufacturer's instructions.
We suggest using P-trap drain. Connect P-trap pipe with washbasin drain.

- CAUTION!** Make sure a watertight seal exists on all washbasin drain connections.
- CAUTION!** Provide access to the plumbing connections for future plumbing maintenance.

The hot and cold water supplies must be installed with isolating valves.

Refer to the following pictures, for the wall installation positions of the faucet inlet angle valve and the floor drain hole.

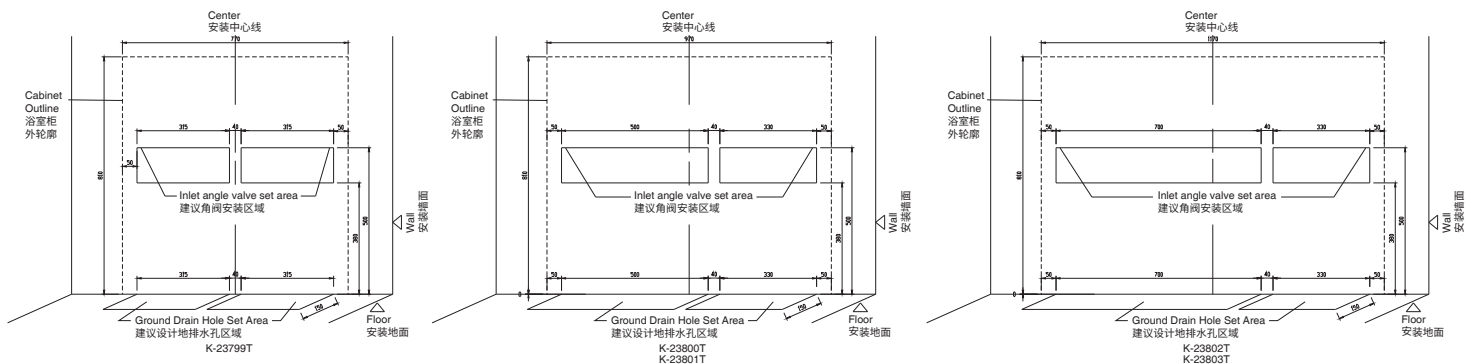
安装脸盆柜

安装管道
热水 (H) 及冷水 (C) 入口必须连接至正确的进水管。
根据制造商说明书安装排水。
我们建议采用墙排水方式，使用 P 弯管连接脸盆去水。

- 小心!** 请确保所有脸盆排水的连接处都装有防水密封圈。
- 小心!** 管道连接处需留有检修空间，以备日后管道维护之用。

注意! 安装冷热供水管时必须使用隔离阀。

浴室龙头进水角阀的墙面安装位置和地面排水孔位置，参考下图



Install

- A Refer to the Installation Instructions of the matching washbasin, make a hole on the wall in advance, and knock in the embedded part.
- B Install the faucet and the sink according to the Installation Instructions of corresponding manufacturers.
- C Adjust the adjusting feet under the feet of the cabinet and use a level to ensure that the upper end of the cabinet is horizontal at the position where the cabinet is installed.

安装之前

- A 参考配套台盆的说明书，在墙面上预先打好挂盆的孔，并敲入预埋件。
- B 按照龙头和落水的制造商的安装说明安装龙头和落水。
- C 调整柜体脚下的调节脚，用水平尺检测，确保柜体所安装的位置处柜体上端面是水平的。

Install Washbasin Cabinet 安装脸盆柜

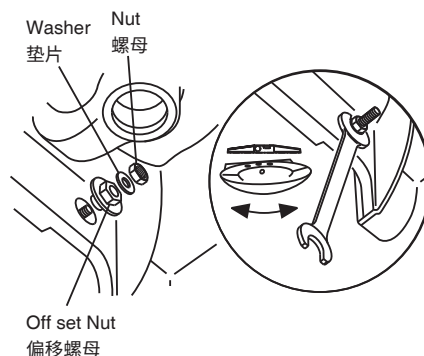
1. Lift the cabinet and washbasin slightly with 2-4 people. First, align the basin's suspension holes with the wall's pre-made basin suspension bolts, pass the bolts through the basin holes, and translate the cabinet and basin until close to the wall.
1. 由2-4人稍稍抬起柜体和台盆，先将台盆悬挂孔对准墙面预先打好的台盆悬挂螺栓，使螺栓穿过台盆孔，并将柜体和台盆平移直到与墙面紧贴。
2. Open the cabinet door and drawer. Fix the bolt according the vanity installation instructions. Before that, please apply silicone sealant onto the contact surface of the vanity and the wall.
2. 将柜体的门和抽屉打开，按照台盆说明书固定悬挂螺栓，固定前用硅胶枪在台盆和墙面接触面均匀涂上硅胶。
3. Connect water pipe and drain by professionals to ensure there is no leakage.
3. 由专业人员连接上下水，确保无渗漏。

Note:

Different types of bolts are required for different decoration boards. Please apply suitable bolts and plugs.

注意:

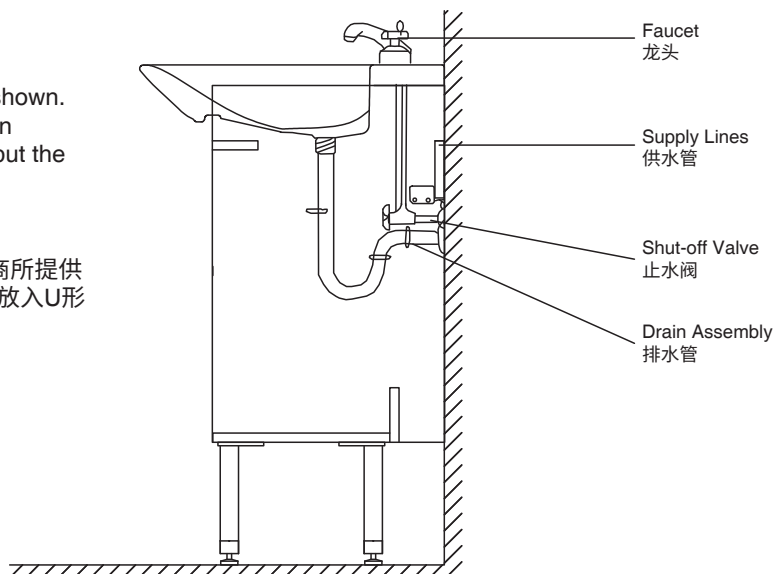
不同的装饰墙面需要不同型号的螺钉，请使用合适的螺钉和入墙胶塞。



STEP
1

Connect Drainage 连接排水管

- a. Inwall drainage (P-Trap)
Please install the drain assembly and faucet as shown. Please set the water supply and drainage position according to the suppliers instructions. You can put the pipe into the U Notch.
- a. 入墙式排水管 (P弯管)
请按照如图所示安装排水管和龙头。请遵照供应商所提供的说明在墙上设置进/排水管位置。您可以把弯管放入U形缺口。



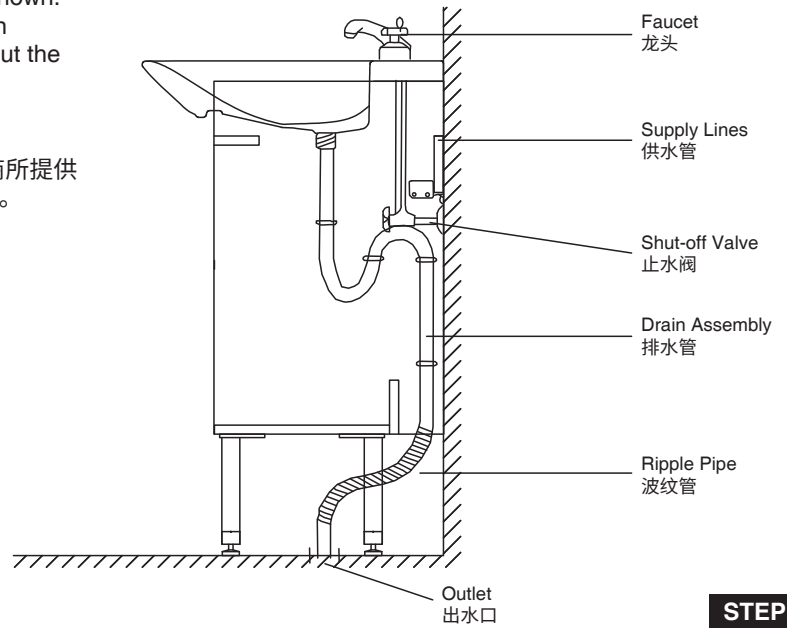
STEP
2

b. Floor drainage (S-Trap)

Please install the drain assembly and faucet as shown. Please set the water supply and drainage position according to the suppliers instructions. You can put the pipe into the U Notch.

b. 地排水 (S弯管)

请按照如图所示设置排水管和龙头。请遵照供应商所提供的说明设进水管位置。您可以把弯管放入U形缺口。

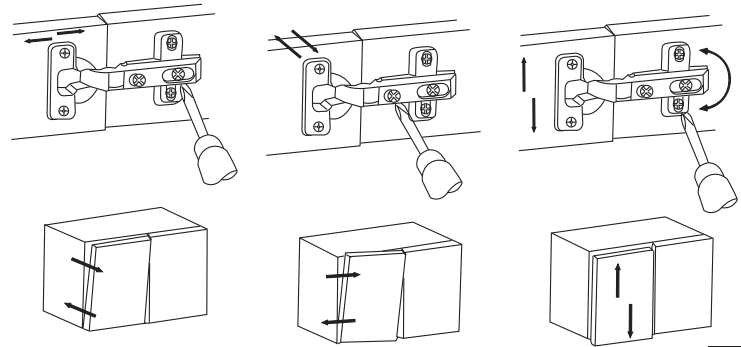


STEP
2

Cabinet Adjustment and Installation and Use of Accessories
调节浴室柜及配件的安装使用

Adjustment of door
门的调节

1. Place the hinge cover and plastic cover (in the hardware pack).
1. 装上门铰盖，盖上塑料孔盖（五金包内）。
2. Adjust the hinge of door in 3 direction to make sure the door level.
2. 如图所示三向调节门板位置。



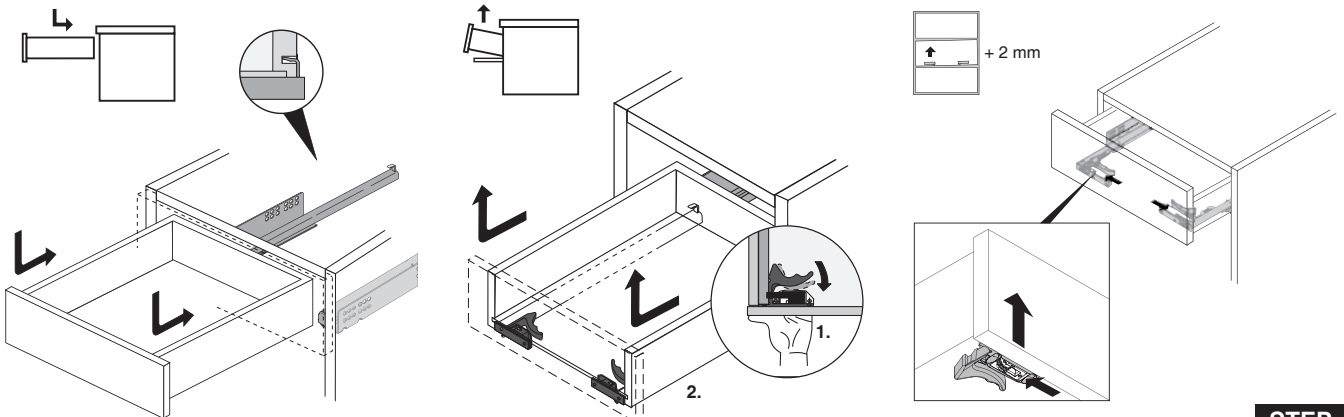
STEP
3

Installation, removal and adjustment of drawers
抽屉的安装拆卸和调节

1. Installation
1. 安装

2. Removal
2. 拆卸

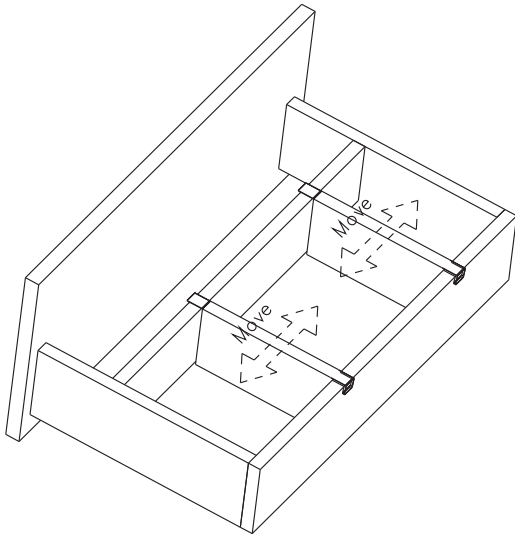
3. Adjustment
3. 调节



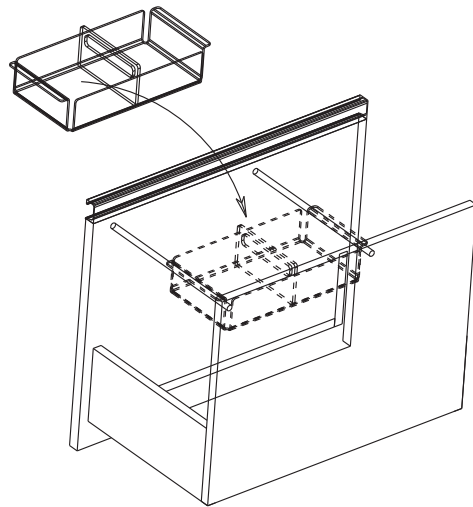
STEP
4

Installation and use of accessories
配件的安装使用

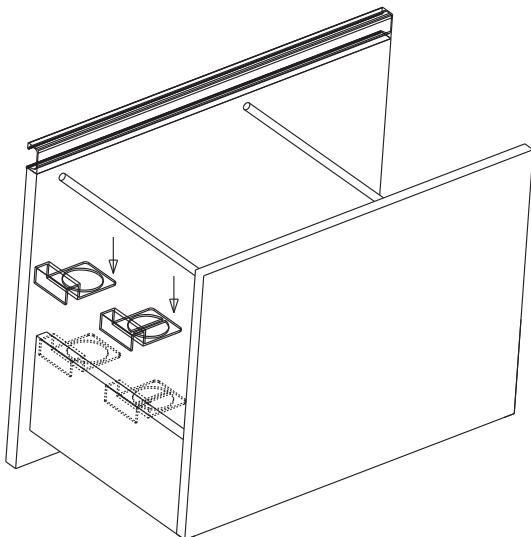
1. Drawer divider
 1. 抽屉分割板



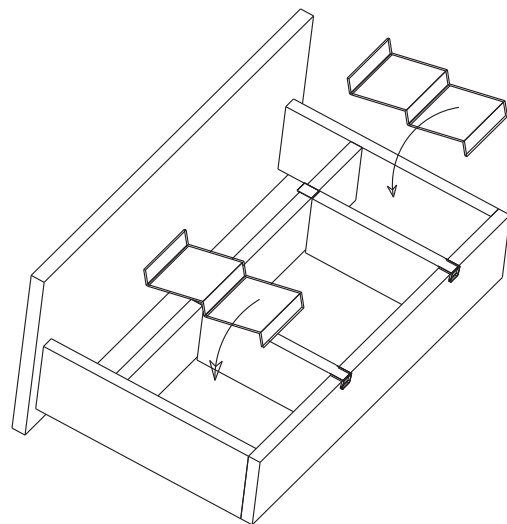
2. High hanging box
 2. 高抽挂盒



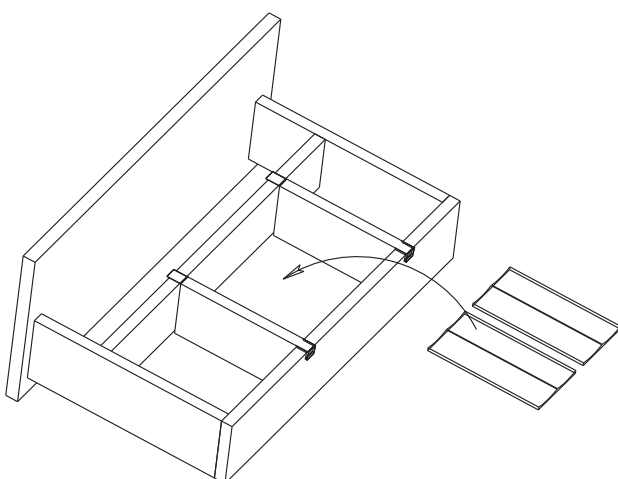
3. Storage accessories A
 3. 收纳配件A



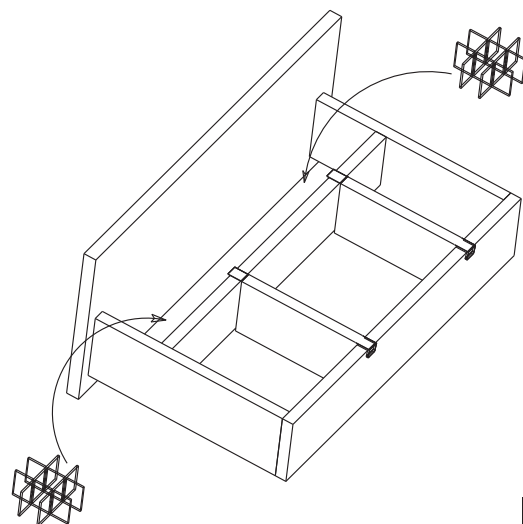
4. Storage accessories B (Optional K-25744T-TG1 required)
 4. 收纳配件B (需选购 K-25744T-TG1)



5. Storage accessories D (Optional K-25744T-TG1 required)
 5. 收纳配件C (需选购K-25744T-TG1)



6. Storage accessories C (Optional K-25744T-TG1 required)
 6. 收纳配件D (需选购K-25744T-TG1)



STEP
5



Warning! Risk of product damage.

1. Many cleansers contain abrasive and chemical substance which is not suitable for cleaning stainless steel, enamel, plating or plastic products. You may use mild cleansers or soaps to clean the surfaces. Wipe any splashes of cleaner solutions from the surface with clean soft cloth.
2. Maintain ventilation in the bathroom, and separate the dry area from the damp one if conditions permit. Try to open the door and windows of the bathroom and maintain good ventilation.
3. Kohler bathroom cabinet are dealt with strict procedures for damp-proof, whose good damp-proof function ensures good performance even in bathroom of huge humidity. Yet do not splash and pour water directly on the bathroom cabinet. Make sure that the bathroom is not over damp and wipe any splashes from surfaces immediately.
4. Maintenance of door board: Clean and wipe door board regularly, and wipe the condensation vapor with dry and soft cloth.
5. Ensure that electrical connections for appliances such as head lamp is insulated wipe mirror surface with chamois regularly to guarantee the persistent excellent performance.
6. Please do not sit, lean or step on the basin cabinet.
7. If any fixtures caused by abnormal reasons, Kohler China can supply paid replacement for service parts caused by abnormal reasons as shown in the Service Parts Page in the limited duration of warranty.



警告！小心产品受损。

1. 许多清洁剂都含有研磨剂及化学物质，不可用于清洁不锈钢、搪瓷、镀层或塑料制品。这些表面须使用温和的清洁剂或皂液进行清洁，将残余洗涤剂洗干净，然后用干净的软布擦干。
2. 卫生间请保持良好的通风状态，有条件的可以干、湿分离，平常尽量保持浴室空气畅通，养成开窗开门的习惯。
3. 科勒浴柜都经过严格的防潮处理，但防潮并不是防水，使用时不可随意任浴柜被水浇、溅。良好的防潮性能可以保证在高相对湿度时仍有良好使用性，所以请避免卫生间过于潮湿，遇有水迹要及时擦干。
4. 门板的保养：经常用软布定期清洁、擦拭，洗浴后的冷凝水蒸气应用干布擦净，保持门板的干爽。
5. 照明灯等电器连接要确保绝缘、防潮镜面最好用麂皮经常擦拭，可以保障使用质量经久如一。
6. 日常使用时，请勿坐、倚、靠、踩踏在脸盆柜上。
7. 科勒公司确保在担保期内，可以提供因非正常原因造成的如维修零件图中零件的有偿更换。